



# SHURFLO LO FLO (SINGLE FIXTURE)

## RV/MARINE FRESH WATER PUMP – PRODUCT TECHNICAL DATA SHEET

OEM: 105-003  
AFTERMARKET: 105-013

---



### APPLICATION:

Single-fixture RV/Marine fresh water pump installation. Other uses may include 12V DC pressurize water systems in cabins. This pump may be used for general fresh water transfer

### PUMP DESIGN:

Type: 3 Chamber Diaphragm pump  
Ports: 3/8" Barb  
Liquid: 130°F [54°C] Max  
Dry-Prime: 2.5 feet [76 cm]  
Inlet PSI: 0 PSI [0 Bar]  
Run Dry: 2 Minutes

### ELECTRICAL:

Motor: 12V DC Permanent Magnet, Intermittent Duty  
Protection: Thermal Overload, Automatic Restart  
Leads: 18 AWG, 6" [15 cm] Red +, 6" [15 cm] Black  
Fuse: 5 Amp Recommended  
Control: Shut-Off 30 PSI [2.1 Bar]  
Re-start 5 PSI [0.3 Bar]

No Repair Kits Available

### MATERIALS OF CONSTRUCTION:

Housings: Polypropylene  
Valves/Seals: EPDM  
Diaphragm: Santoprene  
Hardware: Stainless Steel and Zinc Plated Steel

### AGENCY APPROVALS:

Ignition Protection 8846, CE, IMCI Certified

### SHIPPING INFORMATION:

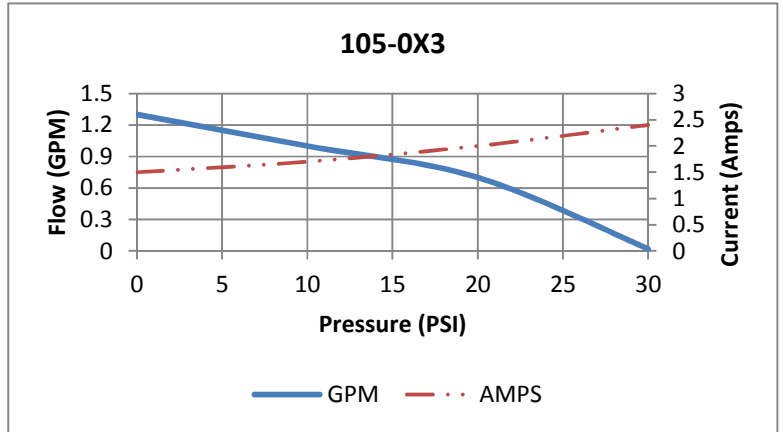
Approx. Net Weight: 1.25 Pounds [0.57 Kg] ea.  
Carton Qty.: 24  
Approx. Carton Weight: 35 Lbs. [15.9 Kg]  
Approx. Carton Size: 24"L X 18"W X 6"H [61cm x 46cm x 15cm]

**RELATED DOCUMENTS:**

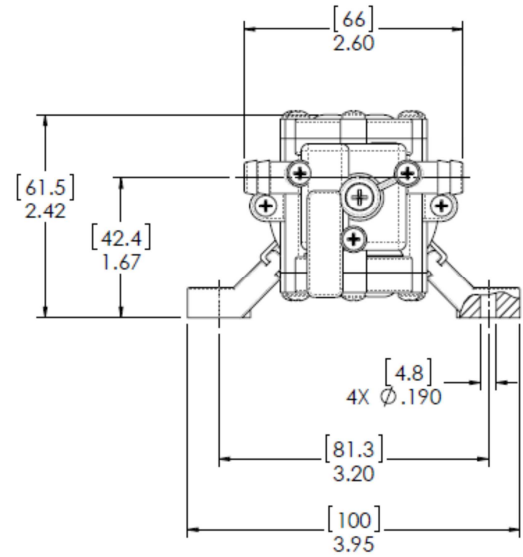
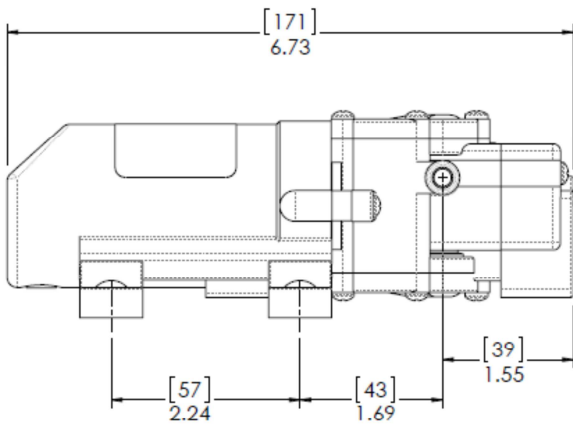
Catalog: MS-030-138 / MS-030-140  
 Application Spec Guide: MS-020-005  
 Installation Manual: 911-585  
 Aftermarket Warranty: 911-1045

**TYPICAL PERFORMANCE AT 12V**

PRESSURE		FLOW		CURRENT
BAR	PSI	GPM	LPM	AMPS
0	0	1.3	4.9	1.5
0.7	10	1.0	3.7	1.7
1.4	20	0.7	2.6	2.0
2.1	30	0.2	0.7	2.4



**DIMENSIONS**



**WATER PURIFICATION**

3545 Harbor Gateway South, Suite 103, Costa Mesa, CA 92626, (800) 854-3218 www.SHURFLO.com

All Pentair trademarks and logos are owned by Pentair, Inc. All other brand or product names are trademarks or registered marks of their respective owners. Because we are continuously improving our products and services, Pentair reserves the right to change specifications without prior notice. Pentair is an equal opportunity employer.