



SHURFLO HIGH FLOW SYSTEM™ II 10.0 GPM

MARINE FRESH WATER SYSTEM – PRODUCT TECHNICAL DATA SHEET

OEM: 4558-163-E75
 AFTERMARKET: 4558-163-E75



APPLICATION:

Multi-fixture Marine fresh water system installation.
 This system may be used for general fresh water transfer

PUMP DESIGN:

Type: 4 Chamber Diaphragm pump
 Check Valve: (1-way operation) Prevents Reverse Flow
 Pump Ports: 1/2" -14 NPSM-Male
 Manifold: 3/4" Barb
 Liquid: 130°F [54°C] Max
 Dry-Prime: 6 feet [1.82 M]
 Run Dry: Yes
 Inlet Pressure: 30 PSI Max. [2.06 Bar]

ELECTRICAL:

Motor: 24V DC Permanent Magnet, Intermittent Duty.
 Protection: Thermal Overload, Automatic Restart
 Leads: 14 AWG, 14-3/4" [37 cm] Red +, 15" [38 cm] Black
 Fuse: Primary pump 7.5 Amp Recommended,
 Secondary pump 7.5 Amp Recommended,
 Both pumps together: 15 Amps Recommended.
 Control: Primary pump: Shut-Off 55 PSI [3.8 Bar]
 ± 2 PSI [0.13 Bar] Re-start 40 PSI [2.8 Bar]
 ± 2 PSI [0.13 Bar] Maximum By-Pass 65 PSI
 [4.5 Bar] ± 2 PSI [0.13 Bar]
 Secondary pump: Shut-Off 45 PSI
 [3.1 Bar] ± 2 PSI [0.13 Bar] Re-start 30 PSI [2 Bar]

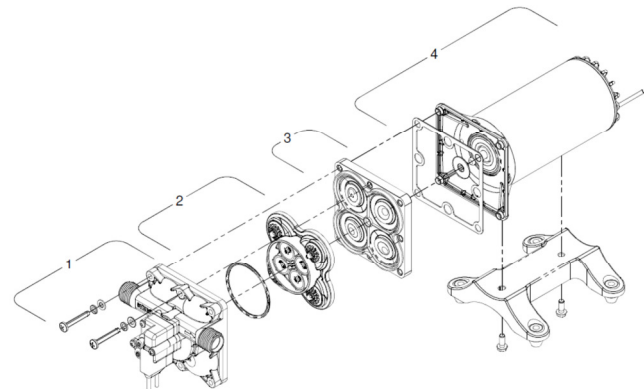
MATERIALS OF CONSTRUCTION:

Housings: Polypro
 Valves/Seals: EPDM
 Diaphragm: Santoprene
 Hardware: Stainless Steel

AGENCY APPROVALS:

Ignition Protection 8846, CE, IMCI Certified

REPAIR KITS



Number	4158-163-E75	4258-163-E07
*1	94-801-10	94-805-01
2	94-800-01	94-800-01
3	94-801-12	94-801-02
4	94-71-001-04	94-71-001-04
*1,2,3	94-801-13	94-805-02
Check valve (Not Shown)	94-800-03	94-800-03

*With preset switch and by-pass adjustment (if applicable)

SHIPPING INFORMATION:

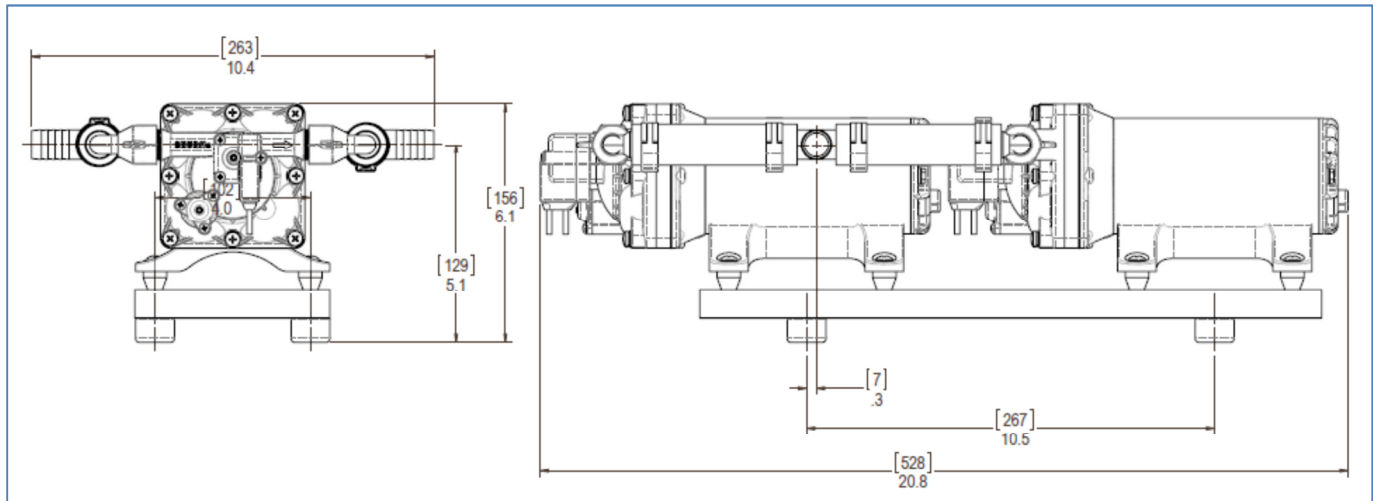
Approx. Net Weight: 20 Pounds [9.0 Kg] ea.
Carton Qty.: 1
Approx. Carton Size: 24”L X 18”W X 6”H [61cm x 46cm x 15cm]

RELATED DOCUMENTS:

Catalog: MS-030-140
App Guide Sheet : MS-020-005
Installation Manual: 911-1049
Aftermarket Warranty: 911-1045

TYPICAL PERFORMANCE AT 25.6V

PRESSURE		FLOW		TOTAL	4158-163-E75	4258-163-E07
BAR	PSI	GPM	LPM	AMPS	AMPS	AMPS
0	0	10	37.8	5.6	2.5	3.1
0.7	10	9.0	34.0	7.2	3.2	3.9
1.4	20	7.6	28.7	8.5	3.8	4.6
2.1	30	6.4	24.2	9.7	4.3	5.3
2.8	40	5.5	20.8	10.9	4.5	6.0
3.4	50	0.8	3.0		5.5	



WATER PURIFICATION

3545 Harbor Gateway South, Suite 103, Costa Mesa, CA 92626, (800) 854-3218 www.SHURFLO.com

All Pentair trademarks and logos are owned by Pentair, Inc. All other brand or product names are trademarks or registered marks of their respective owners. Because we are continuously improving our products and services, Pentair reserves the right to change specifications without prior notice. Pentair is an equal opportunity employer.