



# SHURFLO RV MACERATOR PUMP

## RV MACERATION PUMP – PRODUCT TECHNICAL DATA SHEET

OEM: 3200-200  
 AFTERMARKET: 3200-201 / 3200-001 (Refer to 3200-001 data sheet for technical info)



**APPLICATION:**  
 RV Maceration – this pump is for intermittent duty only.  
 This pump is not listed for potable water use.

**PUMP DESIGN:**

Type: Flexible Impeller  
 Inlet Port: 1-1/2" Barb / 1-1/2" NPT  
 Outlet Port: 1" Barb  
 Liquid: 130°F [54°C] Max  
 Dry-Prime: 4 feet [2.7M]  
 Run Dry: 2 Minutes – not recommended  
 Inlet Pressure: 30 PSI Max. [2.06 Bar]

**ELECTRICAL:**

Motor: 12V DC Permanent Magnet, Intermittent Duty  
 Protection: Thermal Overload, Automatic Restart  
 Leads: 14 AWG, 17.5" [44 cm] Red +, 18.5" [47 cm] Black  
 Fuse: 20 Amp Recommended  
 Control: No control

**MATERIALS OF CONSTRUCTION:**

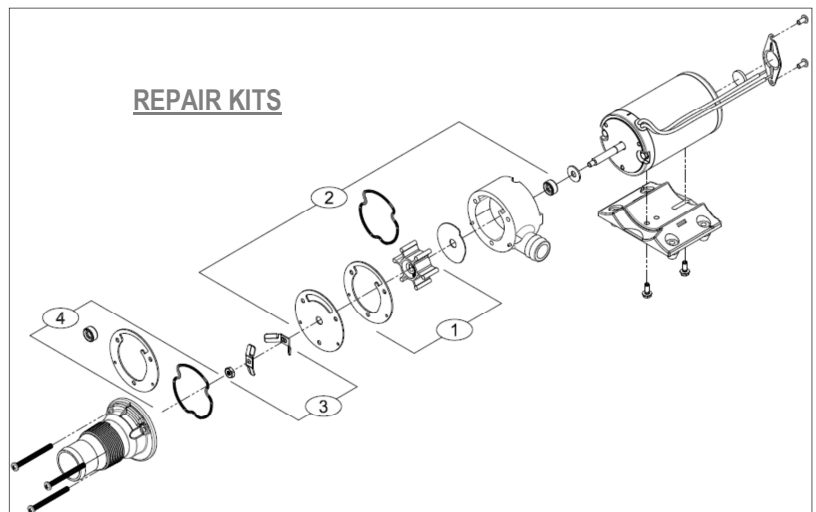
Housing: Phenolic - Nylon  
 Impeller: Brandonite  
 Hardware: Stainless Steel

**AGENCY APPROVALS:**

CSA, ISO 8846, CE, Meets 33 CFR 183.410

**SHIPPING INFORMATION:**

Approx. Net Weight: 6 lbs. [2.7 Kg] ea.  
 Carton Qty.: 6  
 Approx. Carton Weight: 36 lbs. [16.3 Kg]  
 Approx. Carton Size: 24" L X 18" W X 6" H [61cm x 46cm x 15cm]



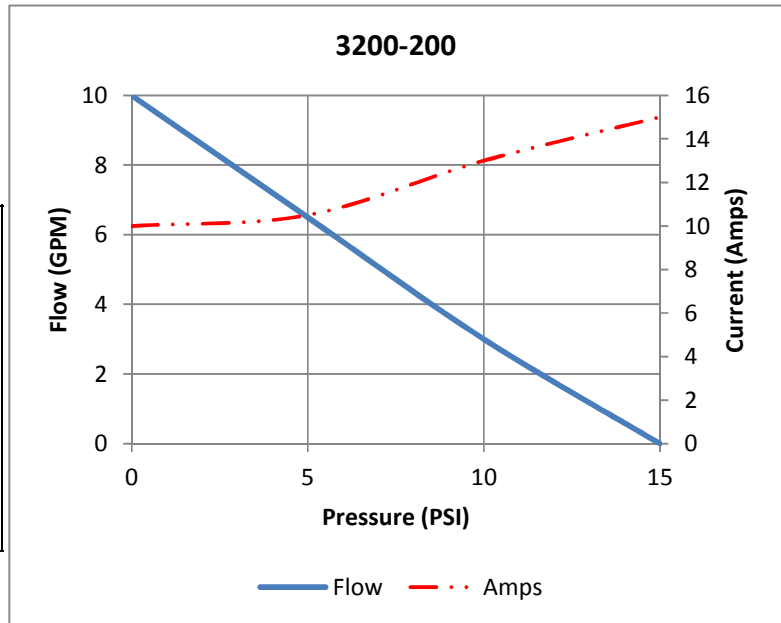
Number	Description	Part Number
1	Impeller Kit	94-571-00
2	Impeller Housing kit	94-570-00
3	Blade Kit	94-570-02
4	Lip Seal Kit	94-570-04

**RELATED DOCUMENTS:**

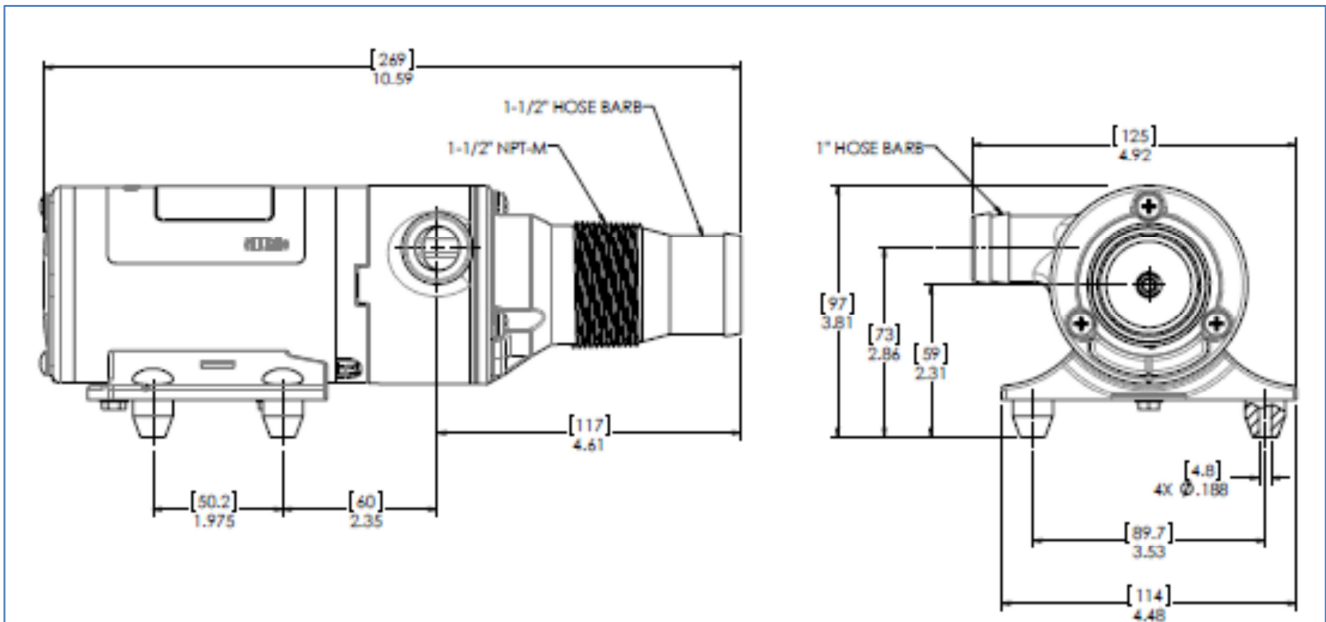
Catalog: MS-030-140  
 App Guide Sheet : MS-020-005  
 Installation Manual: 911-566  
 Aftermarket Warranty: 911-1044

**TYPICAL PERFORMANCE**

PRESSURE		FLOW		CURRENT
BAR	PSI/FT	GPM	LPM	AMPS
0	0/0	10	37	10
0.34	5/11.5	6.5	24.6	10.5
0.68	10/23	3.0	11.3	13
0.71	10.5/24	2.0	7.5	13.7
1.03	15/34	0.0	0.0	15



**DIMENSIONS [mm]**



**WATER PURIFICATION**

3545 Harbor Gateway South, Suite 103, Costa Mesa, CA 92626, (800) 854-3218 www.SHURFLO.com

All Pentair trademarks and logos are owned by Pentair, Inc. All other brand or product names are trademarks or registered marks of their respective owners. Because we are continuously improving our products and services, Pentair reserves the right to change specifications without prior notice. Pentair is an equal opportunity employer.

3200-200 [201] Rev. 02/14 2006 - 2014 ©Pentair, Inc. All Rights Reserved.